

RF Tag

SYSTEM DESCRIPTION

EWA GSI has designed, developed and produced a radio frequency (RF) tag with the ability to be user programmed for a number of operational modes to provide tracking information of intended targets. Our RF tag is capable of operating as a simple RF beacon or as a transmitter of GPS data, when the optional GPS module is used, or as a GPS data logger.

Battery power management is accomplished by user programmable mode activities using the calendar or GPS based event types. Location data can be periodically transmitted or transmitted when cued by RF. Transmit frequency can be selected among 15 different UHF channels and the output RF power level is user programmable. The tag can be powered from battery sources; however, an optional Power Module is available to allow extended ranges found in vehicles, etc. Our tag also includes an internal switch controlled by user programmable events. This switch can be used to power or signal external devices.



APPLICATIONS

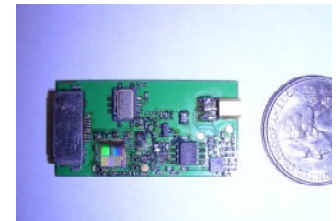
High-Value Target Tagging Missions

RFID

Intelligence Operations

SPECIFICATIONS

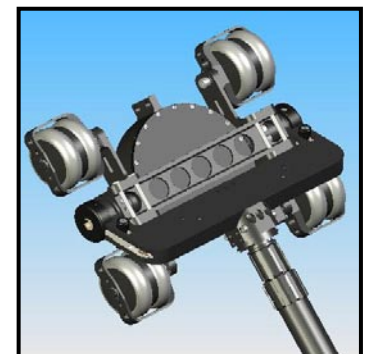
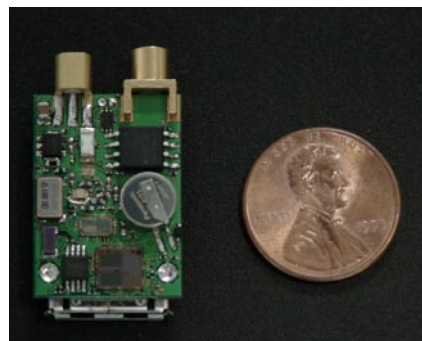
TAG	
Size:	1.25" x 2.5" x 0.325"
DC Input Range:	3.3 – 5.0 VDC
DC Current (Tx):	350mA
DC Current (Wake):	3 mA (uP only)
DC Current (Sleep):	3 uA
RF Output Pwr:	500 mW
Programming:	RS232
Internal Switch Max-Current Handling:	150 mA



SPECIAL APPLICATIONS

GPS MODULE

Internal Antenna:	Active
# Channels:	12
Size:	2.0" x 1.125" x 0.5"



DC POWER MODULE

DC Input Range:	8-32 VDC
DW Output:	3.6 VDC
Size:	2.25" x 1.25" 0.5"

Point of Contact
 Mr. Tom Bonazza
 E-mail: tbonazza@ewa.com